

IPC-7130 / 7130L

Desktop/Wallmount Chassis for ATX/MicroATX Motherboard with Dual Hot-Swap 3.5" Drive Bays



IPC-7130

IPC-7130L

Features

- Shockproof drive bays - One 5.25", one internal 3.5", and two hot-swap 3.5" trays for IPC-7130 / two 3.5" HDD device trays for IPC-7130L
- Lockable front door prevents unauthorized access
- LED indicators for system fault detection
- Bidirectional to mount chassis on the wall or workbench
- Built-in Intelligent System Module enabling whole system fan control and remote manageability (IPC-7130)

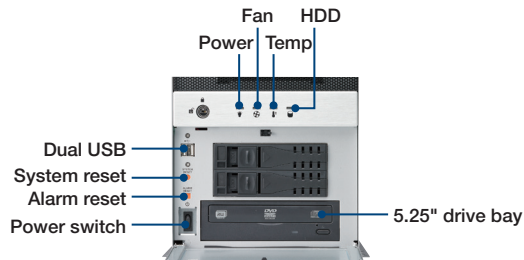
Quiet Specifications

CE FCC

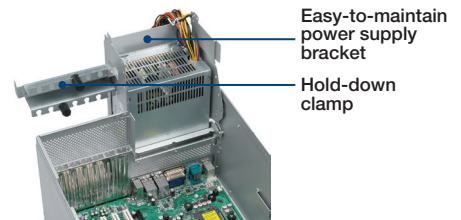
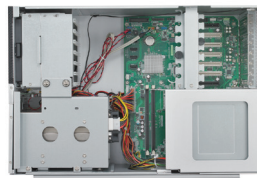
		External	Internal
Disk Drive Bay	5.25"	1/1	-/-
	3.5"	-/2	1/1
	Hot-Swap	2/- (SATA)	-
Cooling	Fan	1 (12 cm/73.8 CFM) + 1 (6 cm/21.2 CFM) / 1 (12 cm/73.8 CFM)	
	Air Filters	Yes	
I/O Interface	USB 2.0	2 (Front accessible)	
Miscellaneous	LED indicators	IPC-7130	IPC-730L
	Control	Power, fan, temperature, HDD	Power, HDD
		Power, Alarm reset, System reset	Power, System reset
Intelligent System Module Remote Monitoring	CPU/System fan speed , CPU/System temperature , motherboard voltage (Only selected Advantech MBs/CPU cards with WISE-PaaS/RMM installed can fully enable these functions, check with Advantech local rep. for detailed information.) (This feature only enabled in IPC-7130)		
Environment	Temperature	Operating 0 ~ 40 °C (32 ~ 122 °F)	Non-operating -20 ~ 60 °C (-4 ~ 140 °F)
	Humidity	10 ~ 85 % @ 40 °C, non-condensing	
	Vibration (5-500 Hz)	0.5 Grms	
	Shock	10 G (with 11 ms duration, half sine wave)	
	Dimensions (W x H x D)	200 x 320 x 480 mm (7.9" x 12.6" x 18.9")	
Physical Characteristics	Weight	12.8 kg (28.2 lb)	

Front View

Inside View



IPC-7130



Easy-to-maintain power supply bracket
Hold-down clamp



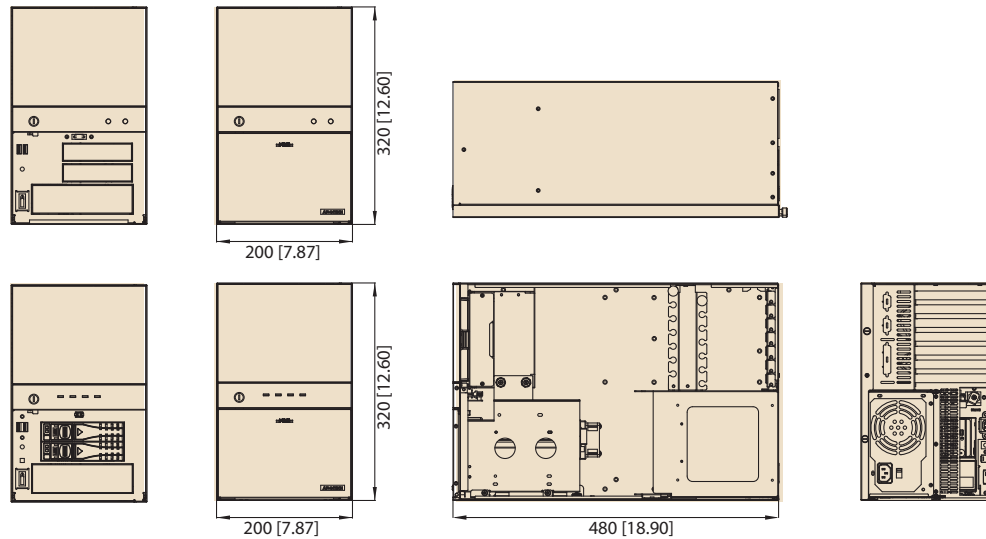
IPC-7130L



Easy-to-maintain reusable fan filter

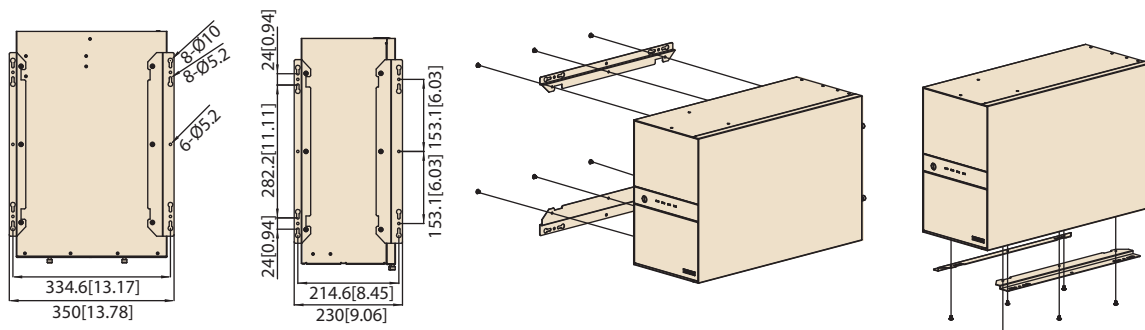
Dimensions

Unit: mm [inch]



Installation

Unit: mm [inch]



Ordering Information

Part number	Power supply	Switch type
IPC-7130 series		
IPC-7130-00XE	NA	ATX
IPC-7130-50ZE	PS8-500ATX-ZE	ATX
IPC-7130L series		
IPC-7130L-00XE	NA	ATX
IPC-7130L-30ZE	PS8-300ATX-ZBE	ATX

Optional Accessories

Part Number	Description
1750006045	73.84 CFM, System fan 120 x 120 x 25 mm
1700029268-01	Power cable for GPU card (Primary) (Two 4-pin 12V connectors to one 6+2 pins PCIe power connector)
1700024754-01	Power cable for GPU card (Secondary) (Two B4P Molex connectors to one 6+2 pins PCIe power connector)

Power Supply Options

Part Number	80 Plus Grade	Wattage	Type	Input
PS8-300ATX-ZBE	Bronze	300W	Single	AC 100 ~ 240V (full range)
PS8-400ATX-ZE	Bronze	400W	Single	AC 100 ~ 240V (full range)
RPS8-500ATX-XE	Bronze	500W	1+1 Redundant	AC 100 ~ 240V (full range)

* If GPU card with 2 power connectors, please use 1700029268-01*1 + 1700024754-01*1;
if GPU card with 1 power connector, please use 1700029268-01

* Only 500W or higher wattage PSUs support 1700029268-01 and 1700024754-01 for high-end GPU card.