

BP Series Backplane

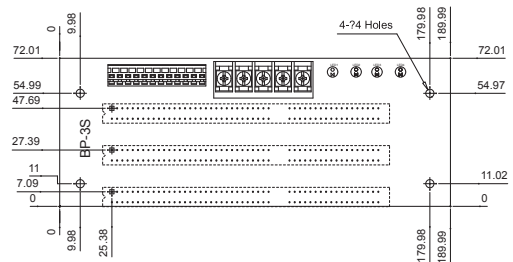
Selection Guide

PAC series wall-mount chassis 4U rack-mount chassis



Model	BP-3S-RS-R40	BP-4S-RS-R40	BP-5S-RS-R40	BP-6S-RS-R40	BP-7S-RS-R40	BP-8S-RS-R41	BP-10S-RS-R40
Total Slot	3	4	5	6	7	8	10
ISA Slot	3	4	5	6	7	8	10
PSU Type	AT	AT	AT	AT	AT	AT	AT
Chassis	PAC-53GH	PAC-400G PAC-42GH	PR-1500G	PAC-106G PAC-1000G	PAC-700G PAC-1700G	N/A	PAC-125G

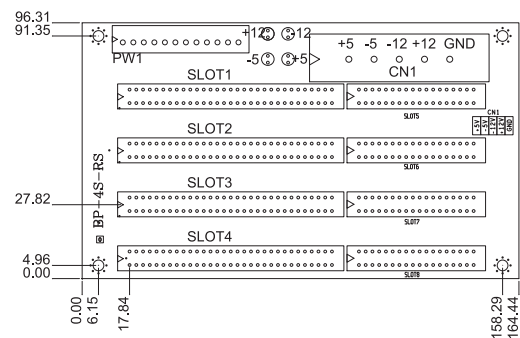
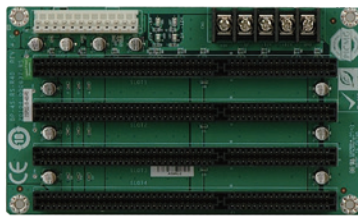
BP-3S-RS-R40



Ordering Information

- BP-3S-RS-R40 3-slot backplane with three ISA slots
- PAC-53GH 3-slot half-size compact chassis

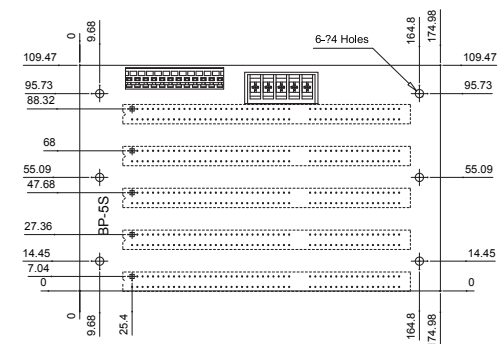
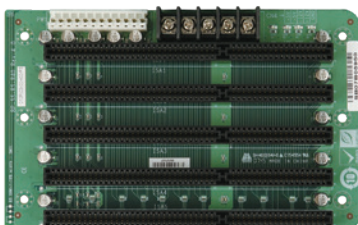
BP-4S-RS-R40



Ordering Information

- BP-4S-RS-R40 4-slot backplane with four ISA slots
- PAC-400G 4-slot half-size compact chassis
- PAC-42GH 4-slot half-size compact chassis

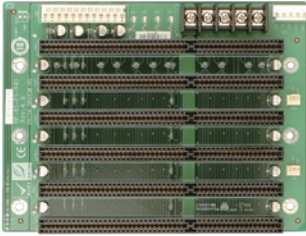
BP-5S-RS-R40



Ordering Information

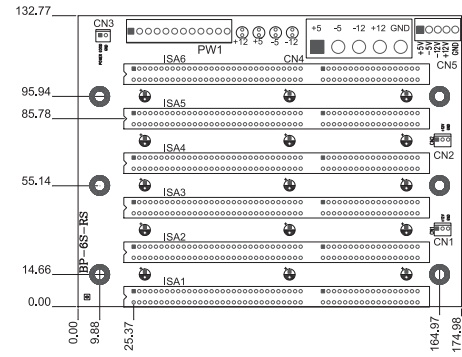
- BP-5S-RS-R40 5-slot backplane with five ISA slots
- PR-1500G 5-slot half-size compact chassis

BP-6S-RS-R40

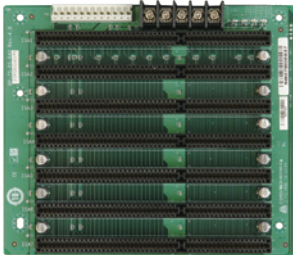


Ordering Information

BP-6S-RS-R40	6-slot backplane with six ISA slots
PAC-106G	6-slot full-size compact chassis
PAC-1000G	6-slot full-size compact chassis

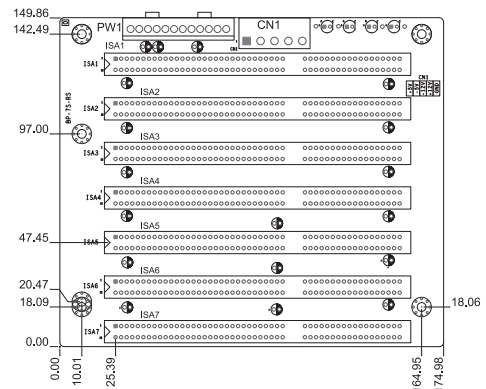


BP-7S-RS-R40

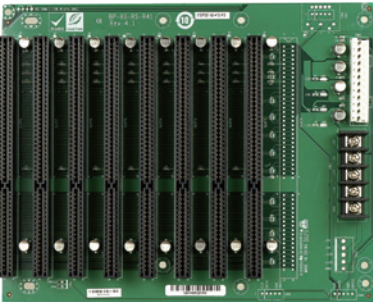


Ordering Information

BP-7S-RS-R40	7-slot backplane with seven ISA slots
PAC-700G	7-slot half-size compact chassis
PAC-1700G	7-slot full-size compact chassis

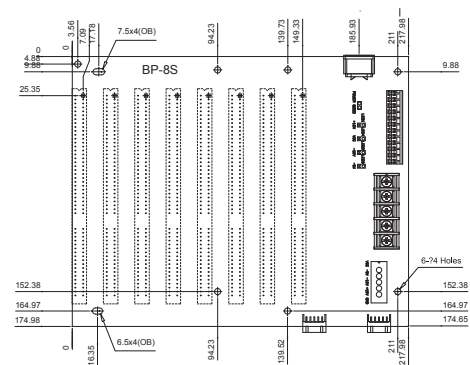


BP-8S-RS-R41

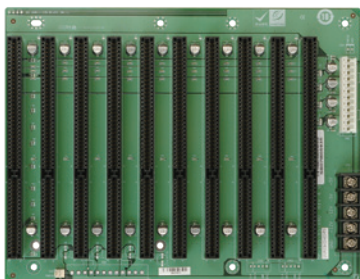


Ordering Information

BP-8S-RS-R41	8-slot backplane with eight ISA slots
--------------	---------------------------------------



BP-10S-RS-R40



Ordering Information

BP-10S-RS-R40	10-slot backplane with ten ISA slots
PAC-125G	10-slot full-size compact chassis

