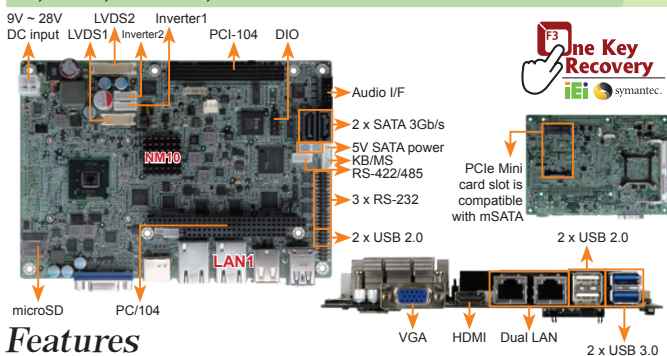


NANO-CV-D25501/N26001

EPIC SBC with Intel® D2550/N2600, DDR3, VGA/HDMI/Dual LVDS, Dual GbE, USB 3.0, mSATA, SATA 3Gb/s, Audio and RoHS



Features

- EPIC form factor with Intel® D2550/N2600 dual-core processor supporting DDR3/DDR3L (1.35V) memory
- Wide range 9V ~ 28V DC input design
- Flexible VGA, dual LVDS and HDMI with dual-display support
- Supports PC/104-Plus and PCIe Mini card slot compatible with mSATA SSD storage
- Complete I/O with six USB, two SATA 3Gb/s, four COM and audio
- IEI One Key Recovery solution allows you to create rapid OS backup and recovery

Specifications

- ◆ CPU
 - Intel® Atom™ D2550 (1.86GHz, dual-core, 1MB cache)
 - Intel® Atom™ N2600 (1.6GHz, dual-core, 1MB cache)
 - Intel® Atom™ N2800 (1.86GHz, dual-core, 1MB cache)
- ◆ Chipset: Intel® NM10
- ◆ BIOS: UEFI BIOS
- ◆ Memory
 - One 204-pin 1066/800 MHz DDR3/DDR3L SDRAM SO-DIMM slot supports up to 4 GB (D2550/N2800) or 2 GB (N2600)
- ◆ Graphics
 - GMA 3650 at 640 MHz graphics core speed (for N2550 and N2800)
 - GMA 3600 at 400 MHz graphics core speed (for N2600)
- ◆ Display Output
 - Dual display supported
 - VGA (up to 1920x1200@60Hz)
 - (Due to Intel GMA driver limitation, the monitor connected to the VGA connector may not have signal to it or become extended desktop after restarting from the graphics driver installation. To solve this problem, press the Ctrl+Alt+F1 hotkey to switch the primary screen to CRT mode.)
 - HDMI (up to 1920x1200@60Hz)
 - 24-bit single-channel LVDS1 (D2550) (up to 1440x900@60Hz)
 - 18-bit single-channel LVDS1 (N2600/N2800) (up to 1366x768@60Hz)
 - 24-bit dual-channel LVDS2 (up to 1920x1200@60Hz)
 - DP to LVDS converter (up to 1920x1200(D2550) or 1600x1200(N2600/N2800)@60Hz)
- ◆ Ethernet
 - Dual LAN by Realtek RTL8111E controllers
- ◆ Audio
 - Realtek ALC662 HD Audio codec
 - 1 x Front audio (2x5 pin)
- ◆ External I/O Interface
 - 2 x USB 3.0
 - 2 x USB 2.0
- ◆ Internal I/O Interface
 - 1 x KB/MS (1x6 pin)
 - 1 x RS-422/485 (1x4 pin, P=2.0)
 - 2 x SATA 3Gb/s with 5V SATA power connector
 - 2 x USB 2.0 (2x4 pin, P=2.0)
 - 3 x RS-232 (2x5 pin, P=2.0)
- ◆ Expansion
 - 1 x Full-size PCIe Mini card slot (supports mSATA, co-lay with SATA1)
 - 1 x PC/104 slot (ISA)
 - 1 x PCI-104 slot (PCI)
- ◆ Watchdog Timer
 - Software programmable supports 1~255 sec. system reset
- ◆ Digital I/O: 8-bit digital I/O (2x5 pin)
- ◆ Fan Connector (smart fan support)
 - 1 x CPU smart fan (1x3 pin)
 - 1 x System smart fan (1x3 pin)
- ◆ Power Supply
 - 9~28V DC input
 - 1 x Internal power connector (2x2 pin)
 - Support AT/ATX mode
- ◆ Power Consumption
 - 12V@2.1A (Intel® D2550 1.86GHz CPU with 1333 MHz 2 GB DDR3 memory)
 - 12V@1.72A (Intel® N2600 1.6GHz CPU with 1333 MHz 2 GB DDR3 memory)
- ◆ Operating Temperature
 - 20°C ~ 60°C with free air, -20°C ~ 70°C with force air for D2550 processor
 - 20°C ~ 70°C with free air, -20°C ~ 75°C with force air for N2600/N2800 processor
- ◆ Storage Temperature: -30°C ~ 80°C
- ◆ Operating Humidity: 5% ~ 95%, non-condensing
- ◆ Weight: GW: 670g / NW: 350g
- ◆ CE/FCC compliant

Packing List

1 x NANO-CV-D25501/N26001 single board computer	
1 x Audio cable	1 x SATA with 5V output cable
1 x Power cable	1 x USB cable
1 x PS/2 KB/MS cable	1 x Mini jumper pack
1 x RS-232 cable	1 x QIG

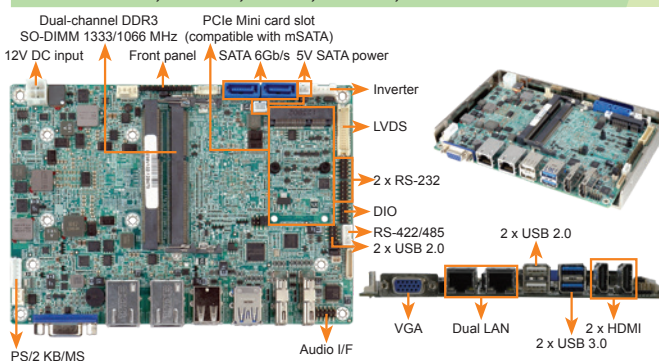
Ordering Information

Part No.	Description
NANO-CV-D25501-R10	EPIC SBC with Intel® Atom™ D2550 1.86GHz, DDR3, VGA/HDMI/dual LVDS, dual GbE, USB 3.0, mSATA, SATA 3Gb/s, Audio, RoHS
NANO-CV-N26001-R10	EPIC SBC with Intel® Atom™ N2600 1.6GHz, DDR3, VGA/HDMI/dual LVDS, dual GbE, USB 3.0, mSATA, SATA 3Gb/s, Audio, RoHS
NANO-CV-N28001-R10**	EPIC SBC with Intel® Atom™ N2800 1.86GHz, DDR3, VGA/HDMI/dual LVDS, dual GbE, USB 3.0, mSATA, SATA 3Gb/s, Audio and RoHS (by project support, MOQ 100pcs / lot)
19FFD124010HB2A7-000001-RS	CPU fan (40mmx40mmx10mm)
32205-002700-200-RS	RS-232/422/485 cable, 200mm, P=2.0
32205-003800-300-RS	RS-422/485 cable, 200mm, P=2.0
34000-000629-RS	30mm higher heatsink

**By order production, MOQ: 100

NANO-HM651

EPIC SBC with on-board Intel® Celeron® Dual Core 847E 1.1GHz CPU, Dual HDMI/VGA/LVDS, Dual GbE, USB 3.0, PCIe Mini, SATA 6Gb/s and Audio



Features

- EPIC SBC with on-board mobile 32nm Intel® Celeron® dual-core 847E 1.1GHz processor
- Dual HDMI/VGA with dual display support
- Dual-channel 204-pin 1333/1066 MHz DDR3 SO-DIMMs support up to 8 GB
- Easy assembly heat spreader for thermal management
- Supports three COM, four USB 3.0, two SATA 6Gb/s and audio
- IEI One Key Recovery solution allows you to create rapid OS backup and recovery

Specifications

- ◆ CPU
 - 1.1GHz Intel® Celeron® 847E dual-core processor
- ◆ Chipset
 - Intel® HM65
- ◆ BIOS
 - UEFI BIOS
- ◆ Memory
 - Two 204-pin 1333/1066 MHz dual-channel DDR3 SO-DIMMs support up to 16 GB
- ◆ Graphics
 - Intel® HD Graphics Gen 6 supports DX10.1 and OpenGL 3.0
 - Full MPEG-2, VC1, AVC Decode
- ◆ Display Output
 - 1 x VGA (up to 2048x1536@75Hz)
 - 1 x 18/24-bit dual-channel LVDS (up to 1920x1200@60Hz)
 - 2 x HDMI (up to 1920x1200@60Hz)
- ◆ Ethernet
 - Dual LAN: Realtek RTL8111E PCIe GbE controller with ASF 2.0 support
- ◆ Audio
 - Realtek ALC662 HD Audio codec
 - 1 x Front audio (2x5 pin)
- ◆ Front Panel
 - 1 x Front panel (1x10 pin)
- ◆ Expansion
 - 1 x Full-size PCIe Mini card slot (supports mSATA)
- ◆ Digital I/O
 - 8-bit digital I/O (2x5 pin)
- ◆ External I/O Interface
 - 2 x USB 2.0
 - 2 x USB 3.0
- ◆ Internal I/O Interface
 - 1 x KB/MS (1x6 pin)
 - 1 x RS-422/485 (1x4 pin, P=2.0)
 - 2 x RS-232 (2x5 pin, P=2.0)
 - 2 x USB 2.0 (2x4 pin, P=2.0)
 - 2 x SATA 6Gb/s with 5V SATA power connector (RAID 0,1 supported)
- ◆ Watchdog Timer
 - Software programmable supports 1~255 sec. system reset
- ◆ Fan Connector
 - 1 x CPU smart fan (1x4 pin)
 - 1 x System smart fan (1x4 pin)
- ◆ Power Supply
 - 12V only DC input
 - 1 x Internal power connector (2x2 pin)
 - Support AT/ATX mode
- ◆ Power Consumption
 - 12V@1.88A (Intel® Celeron® with two 1333 MHz 4 GB DDR3 SO-DIMM)
- ◆ Operating Temperature
 - 10°C ~ 60°C
- ◆ Storage Temperature
 - 20°C ~ 70°C
- ◆ Operating Humidity
 - 5% ~ 95%, non-condensing
- ◆ Dimensions
 - 115 mm x 165 mm
- ◆ Weight
 - GW: 850g / NW: 350g
- ◆ CE/FCC compliant

Packing List

1 x NANO-HM651 single board computer	
1 x Audio cable	2 x RS-232 cable
1 x Power cable	1 x Heat spreader
1 x SATA with power cable kit	1 x Mini jumper pack
2 x Plastic shaft for securing half-size PCIe Mini card	1 x QIG

Ordering Information

Part No.	Description
NANO-HM651-847E-R10	EPIC SBC supports Intel® Celeron® dual core 847E 1.1GHz CPU, dual HDMI/VGA/LVDS, dual GbE, USB 3.0, PCIe Mini, SATA 6Gb/s and Audio
32001-008600-200-RS	Dual-port USB cable, 210mm, P=2.0